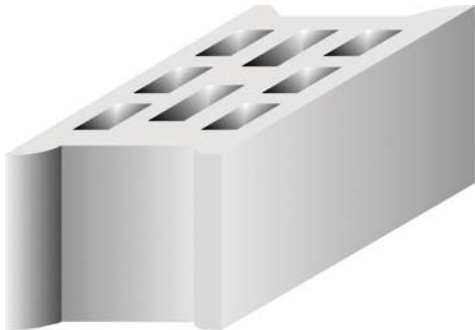


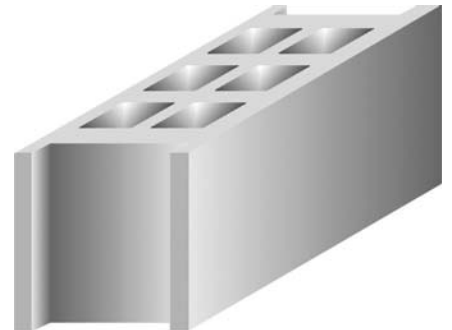
1. CONCRETE BUILDING BLOCKS



CONCRETE BLOCK
40 x 25 x 20
WEIGHT: 23kg
CONSUMPTION: 12.5 pcs/m²



CONCRETE BLOCK
40 x 20 x 9
WEIGHT: 10kg
CONSUMPTION: 12.5 pcs/m²

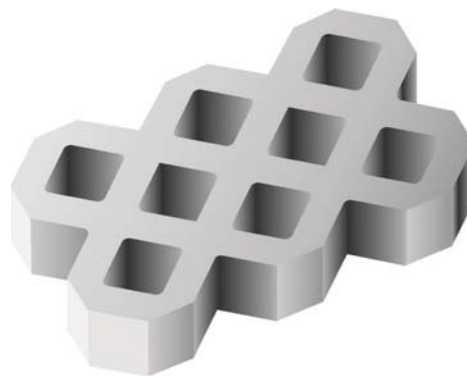


CONCRETE BLOCK
40 x 20 x 20
WEIGHT: 18kg
CONSUMPTION: 12.5 pcs/m²

2. PAVING AND WATER DRAINAGE CONCRETE ELEMENTS



CONCRETE PAVERS, TWO-LAYER, WHITE, GREY AND WITH RED OXIDE PAINT TERAZZO PLATES, PARKING CELLULAR PAVERS			
LENGTH	WIDTH	THICKNESS	WEIGHT
40	40	5	19
40	18	5	9,5
50	40	10	30
50	40	8	25

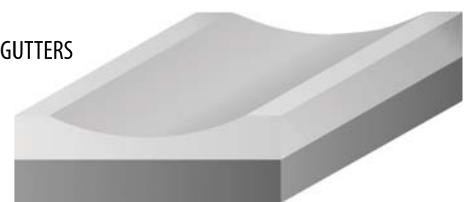


PARKING CELLULAR PAVERS
50 x 40 x 10
COMPRESSIVE STRENGTH: 30MPa
WEIGHT: 30kg
CONSUMPTION: 4.17 pcs/m²



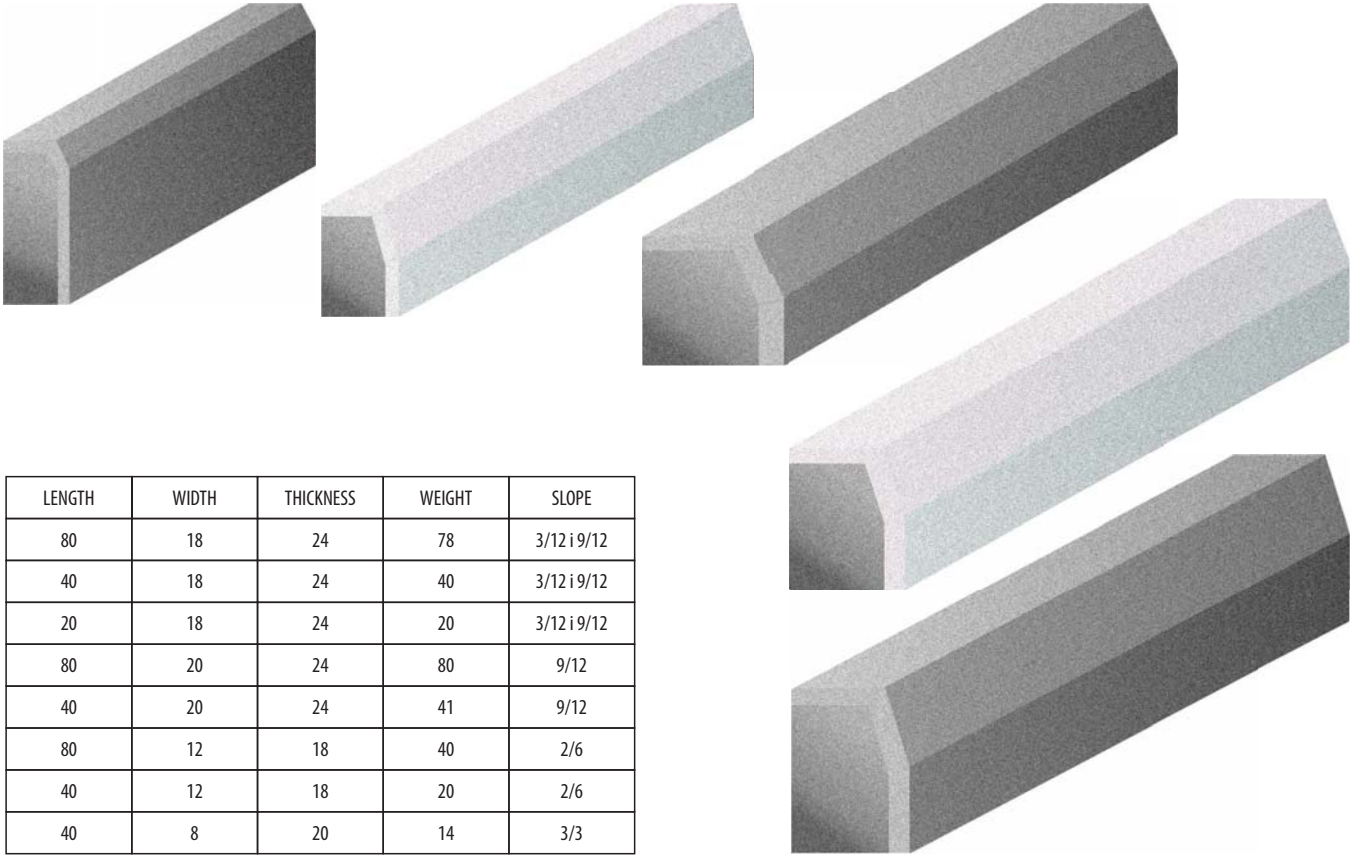
CONCRETE CHANNEL
50 x 50 x 20
WEIGHT: 70kg

TWO-LAYER CONCRETE GUTTERS
White and gray
40 x 40 x 12
WEIGHT: 44kg



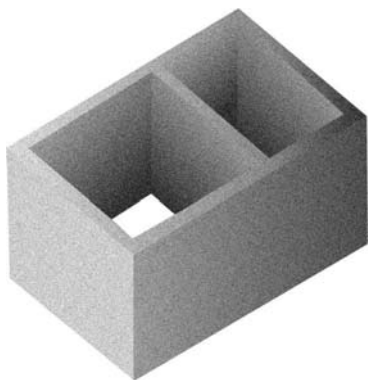
3. PRODUCTION AND DELIVERY OF FRESH CONCRETE OF DIFFERENT COMPRESSIVE STRENGTHS INCLUDING THE PUMPED CONCRETE

4. CONCRETE KERBS, TWO-LAYER, WHITE AND GRAY

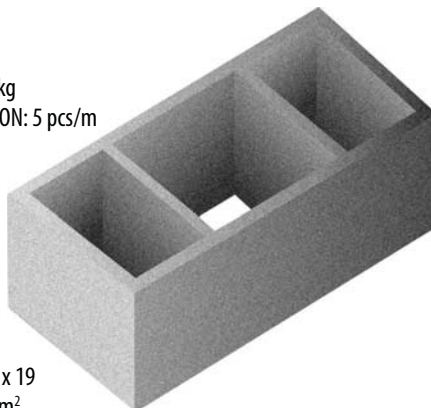


LENGTH	WIDTH	THICKNESS	WEIGHT	SLOPE
80	18	24	78	3/12 i 9/12
40	18	24	40	3/12 i 9/12
20	18	24	20	3/12 i 9/12
80	20	24	80	9/12
40	20	24	41	9/12
80	12	18	40	2/6
40	12	18	20	2/6
40	8	20	14	3/3

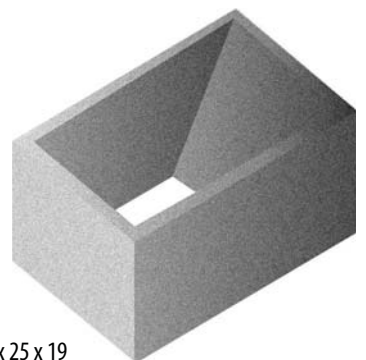
5. VENTILATION ELEMENTS



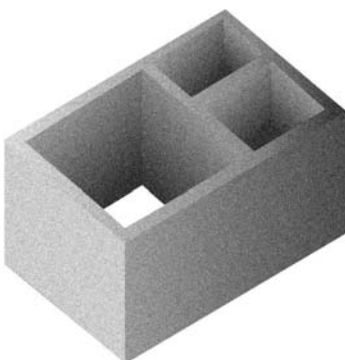
H1
41 x 25 x 19
250N/cm²
WEIGHT: 19kg
CONSUMPTION: 5 pcs/m



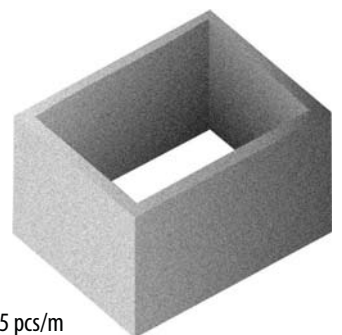
H3
58 x 25 x 19
250N/cm²
WEIGHT: 24kg
CONSUMPTION: 5 pcs/m



E1
41 x 25 x 19
250N/cm²
WEIGHT: 27kg
CONSUMPTION: 5 pcs/m



H2
41 x 25 x 19
250N/cm²
WEIGHT: 22kg
CONSUMPTION: 5 pcs/m



H3/0
25 x 25 x 20
250N/cm²
WEIGHT: 12kg
CONSUMPTION: 5 pcs/m